



**Nelson & Nelson Mfg.**  
5210 Stadium Blvd, Suite C  
Jonesboro AR 72404  
870-268-6393 : Cell 219-1019

Installation Instructions 2-11-25

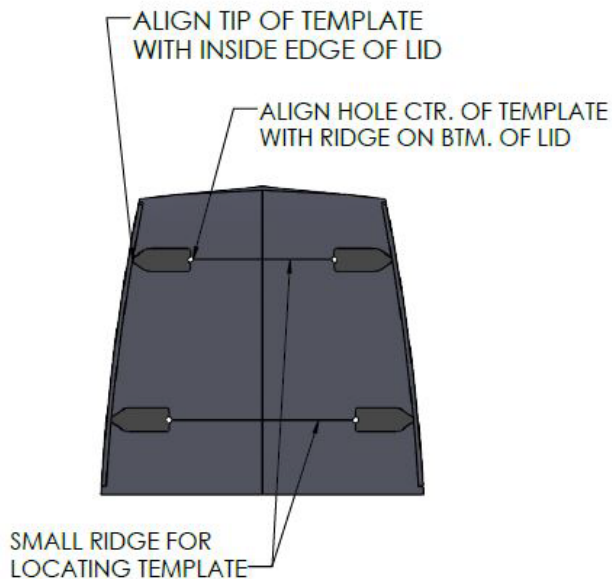
**Model RYK-TRCK**

**Ryker Rear Carrying Rack**

## Steps needed to install your Ryker Trunk Carrying Rack



1.- First raise the lid of the Trunk. On the underside you will see two ridge lines from side to side as shown below. Take the supplied template and located it as shown below in the 4 positions one at a time. The template lines up with the ridge line then located to each side as shown. Once located, use the hole in the template using a 1/4" drill bit and drill the 4 holes required. Then use a 17/64" bit to make the holes larger for easier access of bolts.



2.-Once all 4 holes are drilled as shown below. Then take the rack and supplied rubber spacers and run each bolt through the rack into the spacers as shown. Flip the rack over to install the tapered rubber spacers with narrow side to the rack. Once all spacers are in place turn the rack back over and install the rack into the trunk. Then take the washers and lock nuts and install each on each bolt and tighten down evenly to where the bolts come through the lock nut at least 2 threads.



3.- Take a 5/32" or 4mm Allen wrench with a 7/16" socket to tighten down the locknut. Once tightened down your rack is now installed!

We thank you for purchasing one of our Ryker Accessories, Carrying Rack Kit. Today we know the needs for accessories that provide a higher level of Style and Design and we have solved that demand with a stylish system that compliments the design of your Ryker®!

[spyderextras.com](http://spyderextras.com)